

## AIR TEMPERATURE SENSOR (outdoor version)

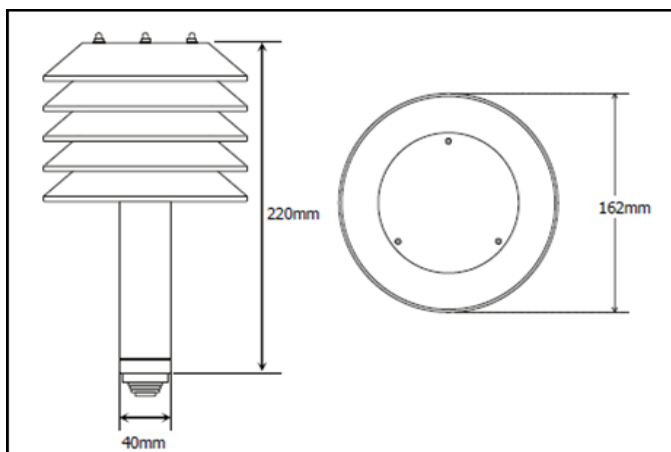
### Description

The temperature measurement is performed to control phenomena with strong temperature variations, such as the day/night cycle on structures, or to compensate for the thermal errors of some instruments.

The Gestecno air temperature sensor is an instrumentation made in compliance with WMO standards (World Meteorological Organization).

The sensitive element (platinum resistance thermometer) is protected against rain and incident solar radiation by means of four overlapping circular screens arranged to guarantee natural internal ventilation.

Their particular white and reflective color, cancels the effect of heating induced on the sensitive element, ensuring maximum measurement accuracy.



### Technical specifications

<b>Sensitive element</b>	Pt100
<b>Material</b>	Stainless steel and plastic
<b>Range</b>	-40...+80 °C
<b>Accuracy</b>	<0.2 °C
<b>Resolution</b>	0.01 °C
<b>Power supply</b>	10-30 Vdc (4-20 mA, 0-5 V)
<b>Output signal</b>	ohm, 4-20 mA, 0-5 V
<b>Ventilation</b>	natural
<b>Protection class</b>	IP65

### Please specify

CODE	PRODUCT DESCRIPTION
TEM-201	Temperature sensor outdoor, 4-20 mA
TEM-251	Temperature sensor outdoor, 0-5 V
TEM-271	Temperature sensor outdoor, ohm

### For further information:

**Gestecno s.r.l.**

Loc. Lanciano, 13 - 62022 Castelraimondo (MC) - Italy  
Tel/fax: (+39) 0737.642174 - P. IVA 01137480438  
e-mail: info@gestecno.it - WEB: www.gestecno.it