

## ELECTRIC ANCHOR LOAD CELL

### Description

The electric toroidal load cell is a special pressure sensor, that measures the variations of work load tie rods and anchorings are subjected to. This way it allows to evaluate the possible losses for release during the exercise or the pressure increase caused by the thrust of the ground on the containment structures. An adequate protection of the sensors allows to use them also in bad environmental conditions. The load cells are available in a wide range of sizes and dimensions; furthermore, it is possible to provide on request load distribution plates to be placed between the tool and the surface. In order to increase the performance avoiding the errors caused by the difficult alignment with the tie rod.

### Applications

- Retaining walls
- Diaphragm walls, deep excavations
- Tunneling, dams, bridges
- Rock bolts
- Landslides



### Features

- Stainless steel body assure cell long life
- Protection class IP68
- High performances for accurate anchors monitoring
- Strain gauges technology
- Wide range of measurement and dimensions

## Technical specifications

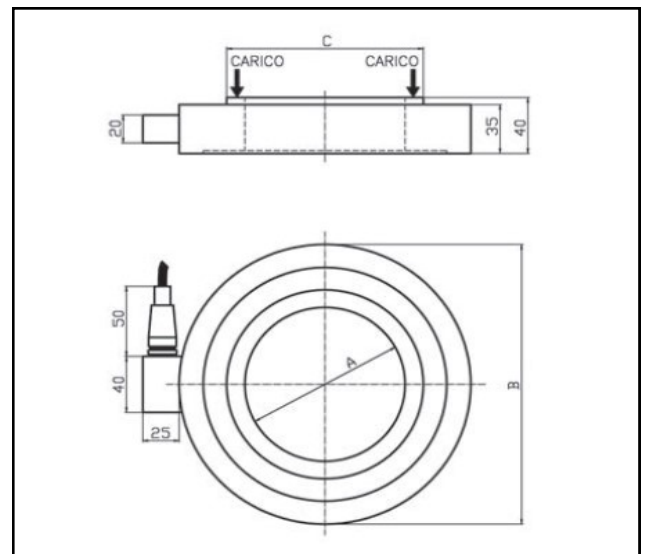
<b>Full scale capacity</b>	from 300 to 2000 KN (others on request )
<b>Output</b>	2 mV/V
<b>Output tollerance</b>	+/- 0,1% F.S.
<b>Accuracy</b>	+/- 0,25% F.S.
<b>Thermal zero shift</b>	+/- 0,005% F.S./°C
<b>Input and output resistance</b>	350-700-1400 Ohm
<b>Power supply</b>	2-15 Vcc
<b>Compensated temperature range</b>	-10.....+40 °C
<b>Operating temperature</b>	-20.....+70 °C
<b>Safe overload</b>	max 150% F.S.
<b>Breaking overload</b>	> 300% F.S.
<b>Protection class</b>	IP68
<b>Material</b>	stainless steel

## Accessories and spare parts

- Distribution plates
- Signal converter from mV/V to 4-20 mA
- Signal cable

## Please specify

CODE	PRODUCT DESCRIPTION
CTE-036	Load cell, ID 36 mm, FS 300 KN
CTE-060	Load cell, ID 60mm, FS 750 KN
CTE-120	Load cell, ID 120 mm, FS 1000 KN
CTE-165	Load cell, ID 165 mm, FS 1500 KN
CTE-190	Load cell, ID 190 mm, FS 2000 KN
CTE-300	Signal cable 6X24 AWG
CDS-200	Signal converter from mV/V to 4-20 mA



A (ID) (mm)	B (OD) (mm)	C (mm)	F.S. (KN)
36	70	50	300
60	160	92	750
120	200	150	1000
165	250	190	1500
190	300	240	1900

## For further information:

### Gestecno s.r.l.

Loc. Lanciano, 22 - 62022 Castelraimondo (MC) - Italy  
 Tel/fax: (+39) 0737.642174 - P. IVA 01137480438  
 e-mail: info@gestecno.it - WEB: www.gestecno.it